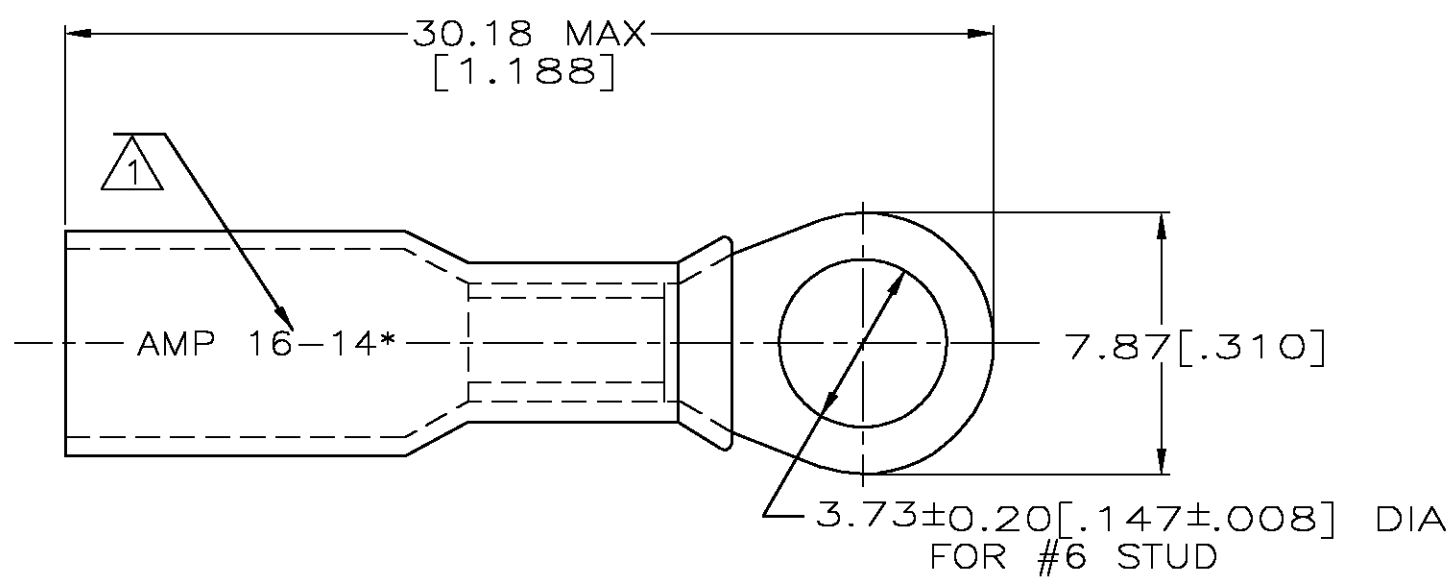


THIS DRAWING IS UNPUBLISHED. RELEASED FOR PUBLICATION .19  
 © COPYRIGHT 19 BY AMP INCORPORATED. ALL INTERNATIONAL RIGHTS RESERVED.

LOC	DIST	P	F	REVISIONS			DATE	APPD
G	14			ZONE	LTR	DESCRIPTION		
					B	REV PER 0G3A-0001-03	06JAN03	JR TM

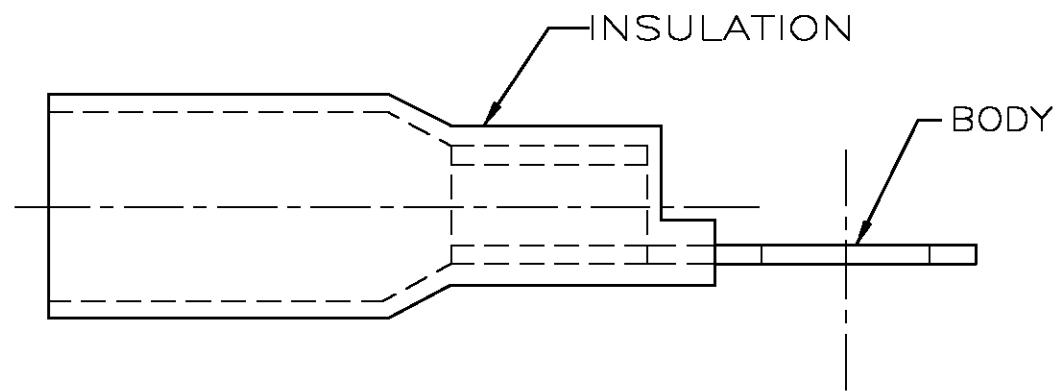
<b>AMP</b> WIRE RANGE	Listed	Certified
16-14 AWG STRANDED	16-14 AWG STRANDED	16-14 AWG STRANDED

**METRIC**  
 DIMENSIONS LISTED IN mm [ INCHES ]



NOTES:

- 1 STAMP AMP16-14\* APPROX AS SHOWN
- 2. WIRE INSULATION DIA 4.83mm [.190] MAX
- 3. TONGUE MATERIAL THK 0.81±0.05mm [.032±.002]



**AMP INCORPORATED  
 CUSTOMER SERVICE SYSTEMS**

FOR ADDITIONAL PRODUCT INFORMATION OR COPIES OF DRAWINGS AND TECHNICAL DOCUMENTS	PRODUCT INFORMATION CENTER 1-800-522-6752
FOR APPLICATION TOOLING INFORMATION	TOOLING ASSISTANCE CENTER 1-800-722-1111
FOR ORDER ENTRY	1-800-526-5142

MAX RECOMMENDED OPERATING TEMPERATURE:  
 125° C MAX

VOLTAGE RATING:  
 600V MAX (BUILDING WIRING)  
 1000V MAX (FIXTURES & SIGNS)

CIRCULAR MIL AREA:  
 1.04-2.62mm<sup>2</sup> [2050-5180]  
 STRANDED

DO NOT SCALE PRINT. UNLESS SPECIFIED  
 DIMENSIONS IN mm [INCHES]  
 TOLERANCES ON:  
 2 PLC DEC ± 0.20 [.008]  
 3 PLC DEC ± -  
 ANGLES ± -

MATERIAL  
 BODY: ETP COPPER  
 INSULATION: POLYOLEFIN  
 COLOR: BLUE

FINISH  
 EDP TIN PLATED

50	LOOSE PIECE	8-55850-2
1000	LOOSE PIECE	55850-1
QTY	PACKAGE TYPE	PART NO
DR 6/93 S S GOULDEN	<b>AMP</b> AMP Incorporated Harrisburg, PA 17105-3608	
CHK 6/93 R HERSEY	NAME TERMINAL, RING TONGUE, SEALABLE HEAT SHRINKABLE	
APPD 6/93 B BARE	SIZE <b>B</b>	CAGE CODE 00779
APPD 6/93 M ELLIS	DRAWING NO <b>C-55850</b>	SHEET 1 OF 1
PRODUCT SPEC -	SCALE NTS	
APPLICATION SPEC -		
WEIGHT -		